

CO₂ Sensor ZMF-200e-IR

CO₂ sensor for rough applications up to -40 ° C with ATEX and SIL2 certification

- ☑ excellent long-term stability
- ☑ robust stainless steel housing
- ☑ maintenance free by NDIR technology
- ☑ 4...20mA signal output
- ☑ extended operating temperature range -40 ° C
- ☑ SIL2 certification
- ☑ ATEX certification on request
- ☑ attractive price/performance ratio



Technical Specifications

Features

Measuring principle	optical, NDIR* ¹
Gas inlet	via diffusion
Signal Output	4...20mA
Power supply	12...24 V DC
Housing	stainless steel
Cable length	1,5 m others on request. Please specify when ordering

Operating conditions

Operating temperature:	-40 °C...+60 °C
Storage Temperature	-40 °C...+85 °C
Pressure conditions	800...1200 mbar
relative Humidity	0...90%, non condensing

Sensor

Heating time	ca. 60 seconds
Reaction time	ca. 30 sec
Accuracy	±1 % of FS range for readings below 25 % of range ±2 % of FS range for readings below 50 % of range ±5 % of FS range above 50 % of range

*¹NDIR: Non-dispersive infrared absorption measurement

We reserve the right to make technical changes

Vertrieb und Beratung:
Fluid.iO Sensor + Control

Tel.: +49-6251-8462-0
Hollandsmühle 1

E-Mail: info@fluidio.de
98544 Zella-Mehlis

Measuring Range

- ☑ 0...2.000 ppm
- ☑ 0...5.000 ppm
- ☑ 0...1 % vol
- ☑ 0...2 % vol
- ☑ 0...5 % vol
- ☑ 0...20 % vol
- ☑ 0...100 % vol

Certification

The device complies with the standard:

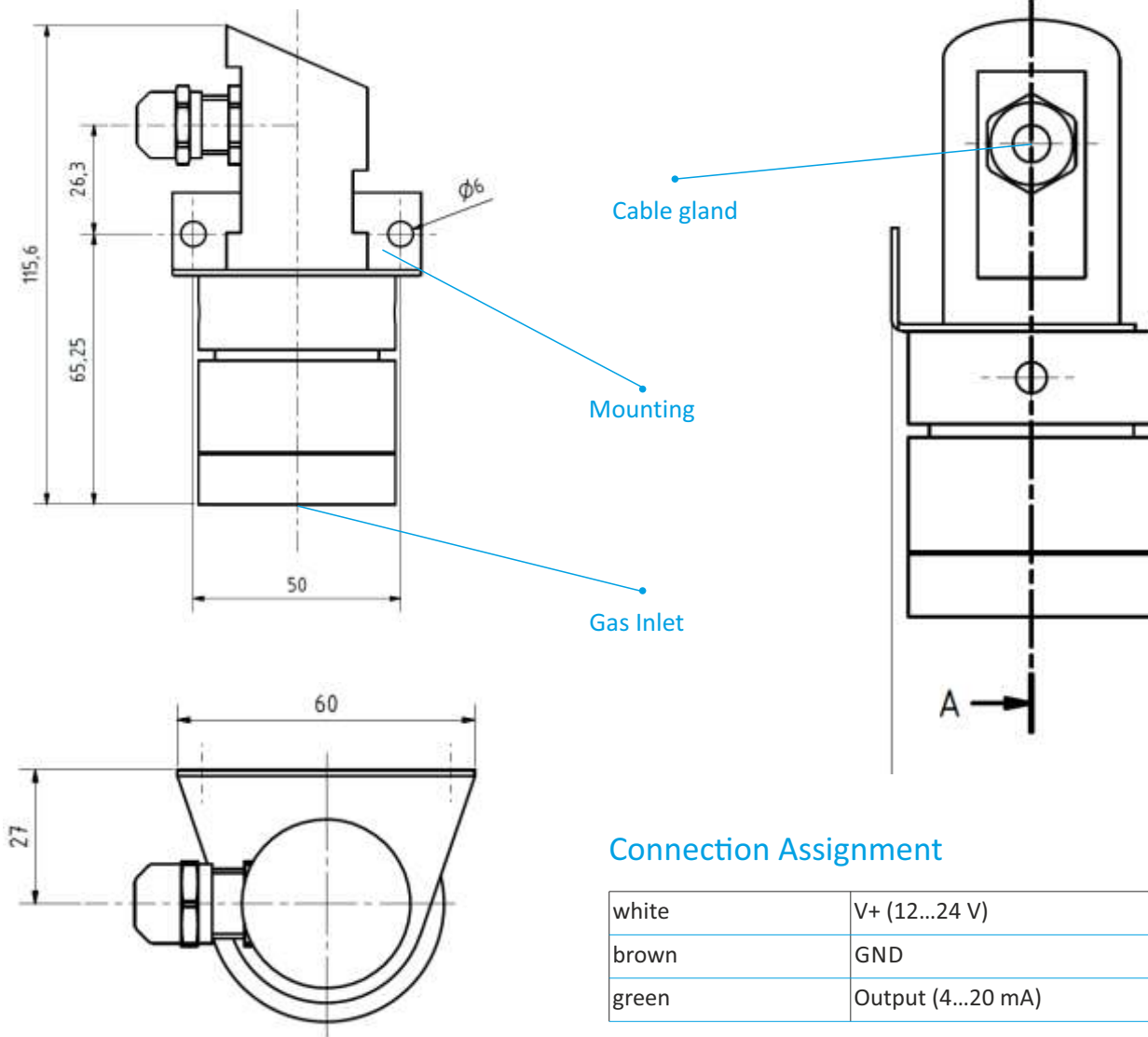
- ☑ EN 50402:2017
- ☑ EN 61508:2010 parts 1 to 7
- ☑ EN 50270 (EMV)

The device has the following certifications:

- ☑ SIL2 certified (standard)
- ☑ ATEX certification only on request

CO₂ Sensor ZMF-200e-IR

Housing and dimensions



Connection Assignment

white	V+ (12...24 V)
brown	GND
green	Output (4...20 mA)

Order

Scope of delivery

CO ₂ Sensor ZMF-200e-IR
Installation and operating instructions

Order options

Desired measuring range as mentioned
ATEX certification
Preferred cable length

We reserve the right to make technical changes

Vertrieb und Beratung:
Fluid.iO Sensor + Control

Tel.: +49-6251-8462-0
Hollandsmühle 1

E-Mail: info@fluidio.de
98544 Zella-Mehlis


www.fluidio.de